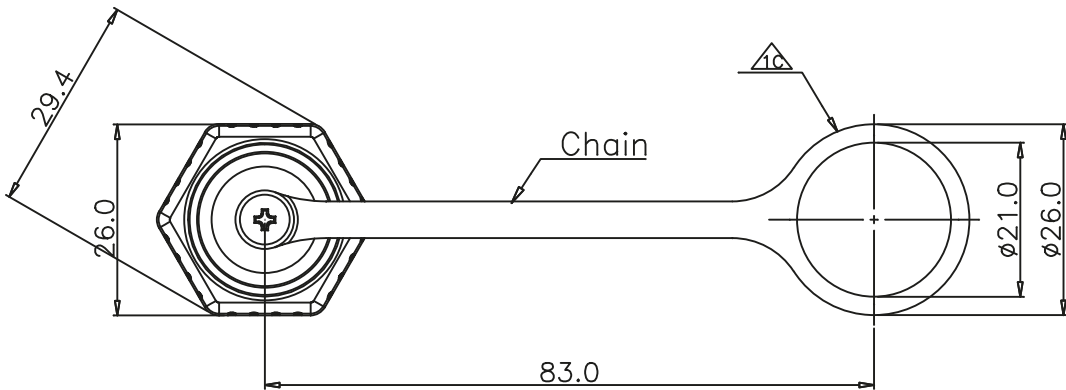
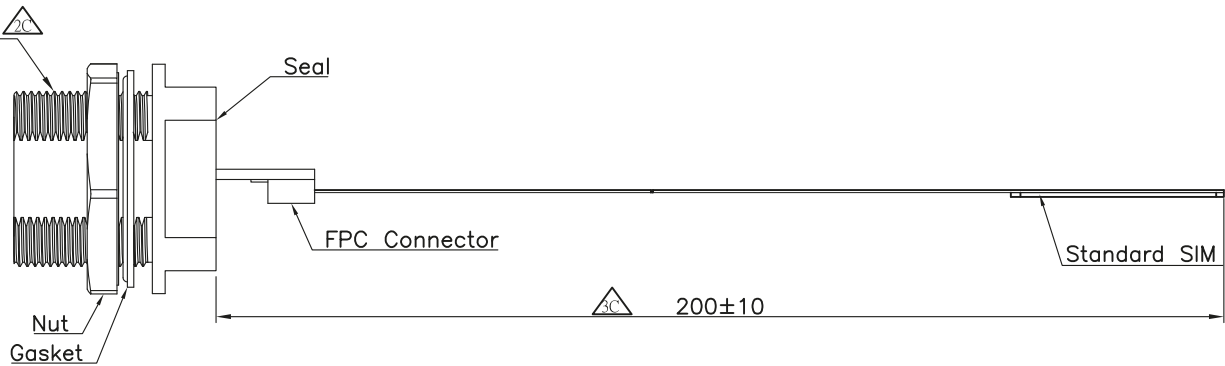
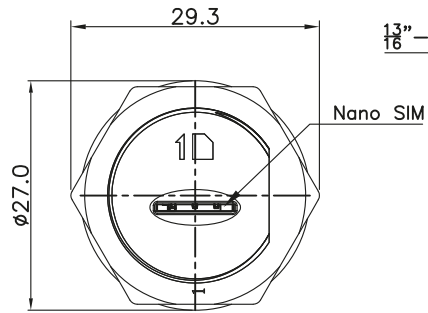
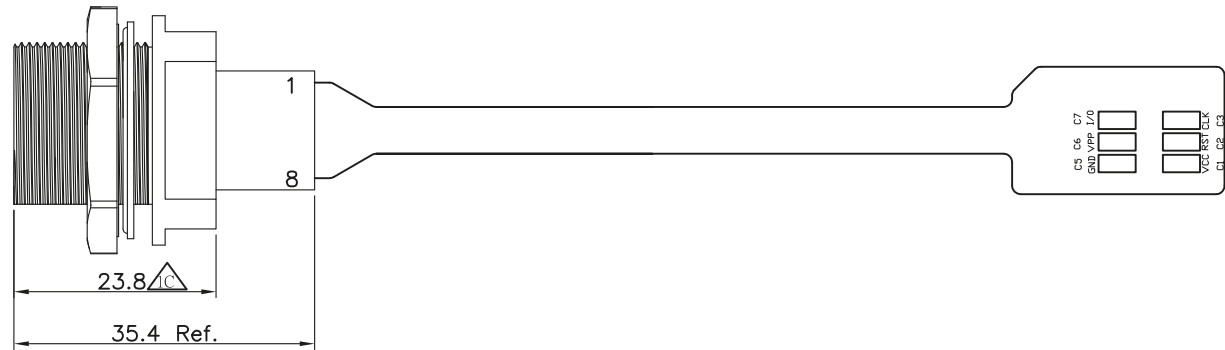
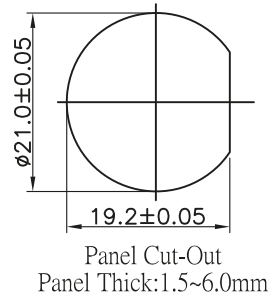


RoHS COMPLIANT



- Note:
1. Plastic Housing: Engineering Thermoplastic  
Flammability Rating UL 94V-0.
  2. Nut: Engineering Thermoplastic  
Flammability Rating UL 94V-0.
  3. Contacts: Phosphor Bronze · Gold Plating Over Nickel In Contact.
  4. Gasket: Silicone.
  5. SIM: Nano SIM Push · SPPN07-A0-8500 ·
  6. FPC: GFP-330221-40804G.
  7. Nut Installation Torque Range: 16~18kg-cm.

REVISION NOTE	TOLERANCE	ARTICLE NANOSIM+STANDARDSIMREV 20cm			
	.XXX ±0.10	DWG NO. SIMNRM			
	.XX ±0.25				
	.X ±0.38				
	X ±0.50				
	ANG ±3°				
		UNIT mm	SCALE 1/1	SHEET 1/1	REV. A