

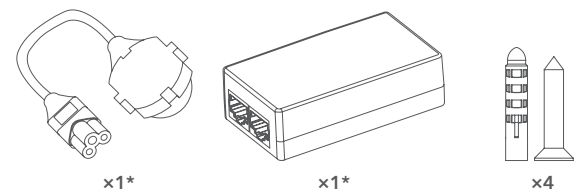
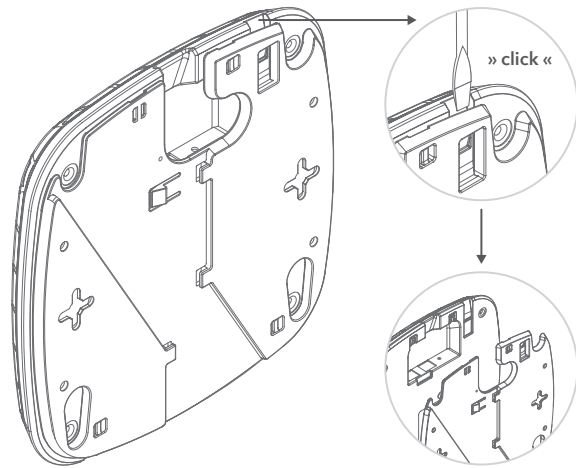


LigoWave

# NFT 3ac, NFT 3ac LITE installation



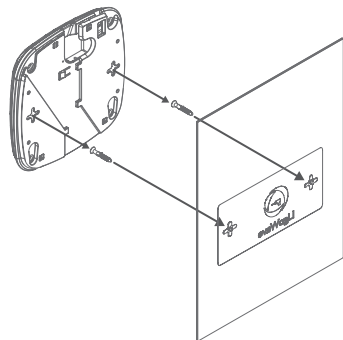
## Package Contents



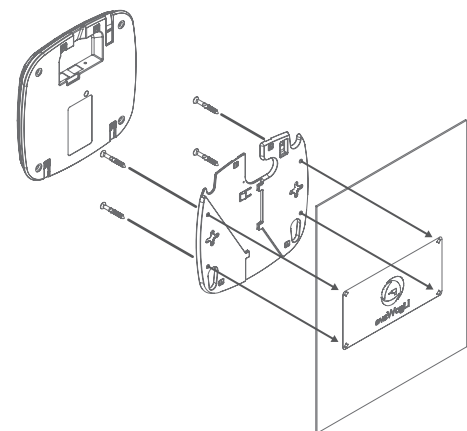
\* Optional

## Mounting

### Option 1

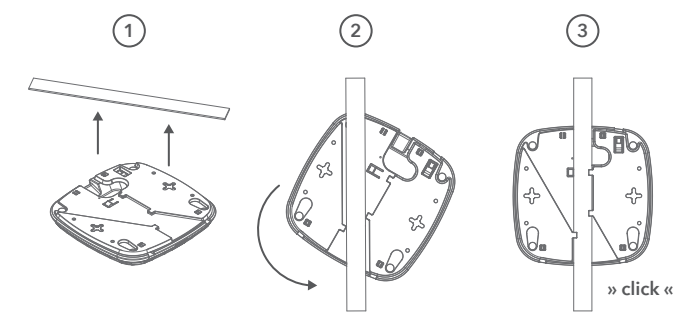
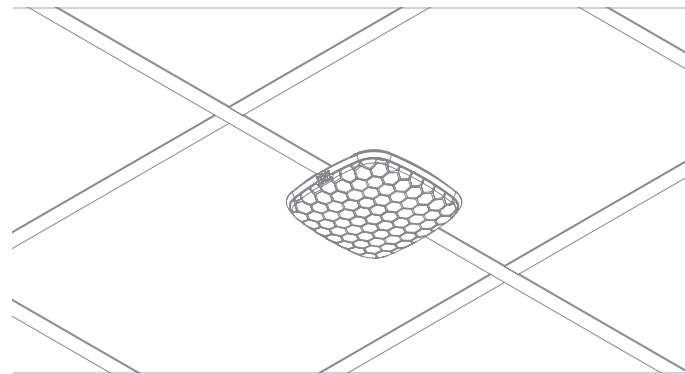


### Option 2

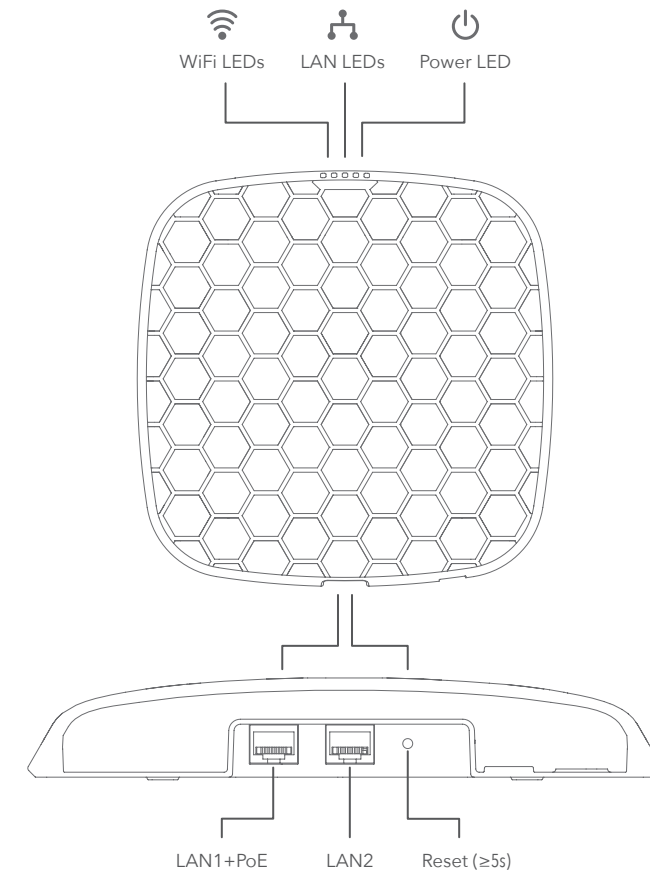


## Mounting

### Ceiling



## Overview



## Default Login Settings

<b>IP address:</b> DHCP client (fallback IP 192.168.2.66)	<b>Login:</b> Login: <b>admin</b> Pass: <b>admin01</b>
---	--

## Important Information

Copyright © 2017 LigoWave

This guide and the software described in it are copyrighted with all rights reserved. No part of this publication may be reproduced, transmitted, transcribed, stored in a retrieval system, or translated into any language in any form by any means without the written permission of LigoWave.

### Notice

Product size and shape are subject to change without prior notice, and actual product appearance may differ from that depicted in the user guide.

While the information in this guide has been compiled with great care, it may not be deemed an assurance of product characteristics. LigoWave shall be liable only to the degree specified in the terms of sale and delivery. The reproduction and distribution of the documentation and software supplied with this product and the use of its contents is subject to written authorization from LigoWave.

### Trademarks

LigoWave logo is trademark of LigoWave. All other registered and unregistered trademarks in this document are the sole property of their respective owners.

## FCC Information

### Français [French]

Note: Cet appareil est conforme à la Partie 15 des règlements de la FCC et aux normes RSS de l'Industrie du Canada. Son fonctionnement est soumis aux deux conditions suivantes: (1) cet appareil ne doit pas causer des interférences nuisibles, et (2) cet appareil doit accepter toute interférence reçue, y compris les interférences qui peuvent provoquer un fonctionnement indésirable.

Le fabricant n'est pas responsable des toutes interférences radio ou télévision causées par des modifications non autorisées apportées à cet appareil. De telles modifications peuvent empêcher l'utilisateur d'utiliser l'appareil.

### English

This device complies with Part 15 of the FCC rules and Industry Canada license-exempt RSS standard(s). Operation is subject to the following two conditions: (1) this device may not cause harmful interference, and (2) this device must accept any interference received, including interference that may cause undesired operation.

The manufacturer is not responsible for any radio or TV interference caused by unauthorized modifications or change to this equipment. Such modifications or change could void the user's authority to operate the equipment.

This radio transmitter (identify the device by certification number or model number if Category II) has been approved by Industry Canada to operate with the antenna types listed below with the maximum permissible gain indicated. Antenna type not included in this list, having a gain greater than the maximum gain indicated for that type, are strictly prohibited for use with this device.

### Français [French]

Le présent émetteur radio (identifier le dispositif par son numéro de certification ou son numéro de modèle s'il fait partie du matériel de catégorie II) a été approuvé par l'Industrie Canada pour fonctionner avec les types d'antenne énumérés ci-dessous et ayant un gain admissible maximal. Les types d'antenne non inclus dans cette liste, et dont le gain est supérieur au gain maximal indiqué, sont strictement interdits pour l'exploitation de l'émetteur.

<b>Model Name</b>	<b>NFT 3ac/ NFT 3ac LITE</b>
<b>Frequency</b>	2.412 - 2.462 GHz/ 5.745 - 5.825 GHz
<b>Tx power</b>	29 dBm
<b>EIRP info</b>	34 dBm
<b>Antenna gain</b>	5 dBi
<b>Power supply</b>	802.3 af/at with passive PoE (37 - 56V) support
<b>Power consumption</b>	19W

### English

This equipment has been tested and found to comply with the limits for a Class B digital device, pursuant to part 15 of the FCC Rules. These limits are designed to provide reasonable protection against harmful interference in a residential installation. This equipment generates, uses and can radiate radio frequency energy and, if not installed and used in accordance with the instructions, may cause harmful interference to radio communications. However, there is no guarantee that interference will not occur in a particular installation. If this equipment does cause harmful interference to radio or television reception, which can be determined by turning the equipment off and on, the user is encouraged to try to correct the interference by one or more of the following measures:

- Reorient or relocate the receiving antenna.
- Increase the separation between the equipment and receiver.
- Connect the equipment into an outlet on a circuit different from that to which the receiver is connected.
- Consult the dealer or an experienced radio/TV technician for help.

To maintain compliance with FCC's RF exposure guidelines, this equipment should be installed and operated with a minimum distance of 20cm between the radiator and your body.

### FCC radiation exposure statement

To comply with FCC RF exposure requirements in section 1.1307, a minimum separation distance of 3.9 feet is required between the antenna and all occupational persons, and a minimum separation distance of 16.4 feet is required between the antenna and all public persons.

### Antenna installation

WARNING: It is installer's responsibility to ensure that when using the authorized an-tennas in the United States (or where FCC rules apply), only those antennas certified with the product are used. The use of any antenna other than those certified with the product is expressly forbidden in accordance to FCC rules CFR47 part 15.204. The installer should configure the output power level of antennas, according to country regulations and per antenna type. Professional installation is required of equipment with connectors to ensure compliance with health and safety issues.

### CE mark warning

This is a Class A product. In a domestic environment this product may cause radio interference in which case the user may be required to take adequate measures.

To avoid usage of unlicensed channels please choose the correct Country on the Web Management Disclaimer. Keep in mind that the responsibility for the proper usage of the device in accordance with the regulatory rules lies with an installer or an equipment owner. Operations in the 5.15-5.25GHz band are restricted to indoor usage only.



### Safety

This equipment is designed with the utmost care for the safety of those who install and use it. However, special attention must be paid to the dangers of electric shock and static electricity when working with electrical equipment. All guidelines of this manual and of the computer manufacturer must therefore be allowed at all times to ensure the safe use of the equipment.



According to European Directive 2002/96/EC requirement, equipment that contains this mark must not be disposed with unsorted municipal waste. It is a customer's responsibility to use local electric and electronic equipment waste collection point for this equipment disposal.

## Declaration of Conformity

### Български [Bulgaria]

С настоящото LigoWave декларира, че този тип радиосъоръжение NFT 3ac, NFT 3ac LITE е в съответствие с Директива 2014/53/ЕС. Цялостният текст на ЕС декларацията за съответствие може да се намери на следния интернет адрес: <https://www.ligowave.com/downloads>

Tímto LigoWave prohlašuje, že typ rádiového zařízení NFT 3ac, NFT 3ac LITE je v souladu se směrnicí 2014/53/EU. Úplné znění EU prohlášení o shodě je k dispozici na této internetové adrese: <https://www.ligowave.com/downloads>

LigoWave ovime izjavljuje da je radijska oprema tipa NFT 3ac, NFT 3ac LITE u skladu s Direktivom 2014/53/EU. Cjeloviti tekst EU izjave o sukladnosti dostupan je na sljedećoj internetskoj adresi: <https://www.ligowave.com/downloads>

Hermed erklærer LigoWave, at radioudstyrstypen NFT 3ac, NFT 3ac LITE er i overensstemmelse med direktiv 2014/53/EU. EU-overensstemmelseserklæringens fulde tekst kan findes på følgende internetadresse: <https://www.ligowave.com/downloads>

Hierbij verklaar ik, LigoWave, dat het type radioapparatuur NFT 3ac, NFT 3ac LITE conform is met Richtlijn 2014/53/EU. De volledige tekst van de EU-conformiteitsverklaring kan worden geraadpleegd op het volgende internetadres: <https://www.ligowave.com/downloads>

Hereby, LigoWave declares that the radio equipment type NFT 3ac, NFT 3ac LITE is in compliance with Directive 2014/53/EU. The full text of the EU declaration of conformity is available at the following internet address: <https://www.ligowave.com/downloads>

Käesolevaga deklareerib LigoWave, et käesolev radioseadme tüüp NFT 3ac, NFT 3ac LITE vastab direktiivi 2014/53/EL nõuetele. ELi vastavusdeklaratsiooni täielik tekst on kätesaadav järgmisel internetiaadressil: <https://www.ligowave.com/downloads>

LigoWave vakuuttaa, että radiolaitetyyppi NFT 3ac, NFT 3ac LITE on direktiivin 2014/53/EU mukainen. EU-vaatimustenmukaisuusvakuutuksen täysimittainen teksti on saatavilla seuraavassa internetosoitteessa: <https://www.ligowave.com/downloads>

Le soussigné, LigoWave, déclare que l'équipement radioélectrique du type NFT 3ac, NFT 3ac LITE est conforme à la directive 2014/53/UE. Le texte complet de la déclaration UE de conformité est disponible à l'adresse internet suivante: <https://www.ligowave.com/downloads>

Hiermit erklärt LigoWave, dass der Funkanlagentyp NFT 3ac, NFT 3ac LITE der Richtlinie 2014/53/EU entspricht. Der vollständige Text der EU-Konformitätserklärung ist unter der folgenden Internetadresse verfügbar: <https://www.ligowave.com/downloads>

AT	BE	BG	CZ	DK	EE	FR	DE	IS	IE	IT
EL	ES	CY	LV	LI	LT	LU	HU	MT	NL	NO
PL	PT	RO	SI	SK	TR	FI	SE	CH	UK	HR

### Ελληνική [Greek]

Με την παρούσα ο/η LigoWave, δηλώνει ότι ο ραδιοεξοπλισμός NFT 3ac, NFT 3ac LITE πληροί την οδηγία 2014/53/ΕΕ. Το πλήρες κείμενο της δήλωσης συμμόρφωσης ΕΕ διατίθεται στην ακόλουθη ιστοσελίδα στο διαδίκτυο: <https://www.ligowave.com/downloads>

### Magyar [Hungarian]

LigoWave igazolja, hogy a NFT 3ac, NFT 3ac LITE típusú rádióberendezés megfelel a 2014/53/EU irányelvnek. Az EU-megfelelőségi nyilatkozat teljes szövege elérhető a következő internetes címen: <https://www.ligowave.com/downloads>

### Íslenska [Icelandic]

Hér með lýsir LigoWave yfir því að þetta NFT 3ac, NFT 3ac LITE tæki er í samræmi við grunnkröfur og aðrar kröfur, sem gerðar eru í tilskipun 2014/53/EU. Fullur texti ESB samræmisýrflýsing er að finna á eftirfarandi netfangi: <https://www.ligowave.com/downloads>

### Italiano [Italian]

Il fabbricante, LigoWave, dichiara che il tipo di apparecchiatura radio NFT 3ac, NFT 3ac LITE è conforme alla direttiva 2014/53/UE. Il testo completo della dichiarazione di conformità UE è disponibile al seguente indirizzo Internet: <https://www.ligowave.com/downloads>

### Latviski [Latvian]

Ar šo LigoWave deklarē, ka radioekārta NFT 3ac, NFT 3ac LITE atbilst Direktīvai 2014/53/ES. Pils ES atbilstības deklarācijas teksts ir pieejams šādā internet vietnē: <https://www.ligowave.com/downloads>

### Lietuvių [Lithuanian]

Aš, LigoWave, patvirtinu, kad radijo įrenginių tipas NFT 3ac, NFT 3ac LITE atitinka Direktyvą 2014/53/ES. Visas ES atitikties deklaracijos tekstas prieinamas šiuo interneto adresu: <https://www.ligowave.com/downloads>

### Malti [Maltese]

B'dan, LigoWave, niddikjara li dan it-tip ta' taghmir tar-radjju NFT 3ac, NFT 3ac LITE huwa konformi mad-Direttiva 2014/53/UE. Il-test kollu tad-dikjarazzjoni ta' konformità tal-UE huwa disponibbli f'dan l-indirizz tal-Internet li ġeġ: <https://www.ligowave.com/downloads>

### Norsk [Norwegian]

LigoWave erklærer herved at utstyret denne NFT 3ac, NFT 3ac LITE enheten er i samsvar med de grunnleggende krav og øvrige relevante krav i direktiv 2014/53/UE. Den fulle teksten til EU-samsvar-serklæringen er tilgjengelig på følgende internetadresse: <https://www.ligowave.com/downloads>

### Slovensky [Slovak]

LigoWave týmto vyhlasuje, že rádiové zariadenie typu NFT 3ac, NFT 3ac LITE je v súlade so smernicou 2014/53/EU. Úplné EU vyhlásenie o zhode je k dispozícii na tejto internetovej adrese: <https://www.ligowave.com/downloads>

### Slovenski [Slovenia]

LigoWave potrjuje, da je tip radijske opreme NFT 3ac, NFT 3ac LITE skladen z Direktivo 2014/53/EU. Celotno besedilo izjave EU o skladnosti je na voljo na naslednjem spletnem naslovu: <https://www.ligowave.com/downloads>

### Svenska [Swedish]

Härmed försäkrar LigoWave att denna typ av radioutrustning NFT 3ac, NFT 3ac LITE överensstämmer med direktiv 2014/53/UE. Den fullständiga texten till EU-försäkran om överensstäm-melse finns på följande webbadress: <https://www.ligowave.com/downloads>

### Español [Spanish]

Por la presente, LigoWave declara que el tipo de equipo radioeléctrico NFT 3ac, NFT 3ac LITE es conforme con la Directiva 2014/53/UE. El texto completo de la declaración UE de conformidad está disponible en la dirección Internet siguiente: <https://www.ligowave.com/downloads>

### Polski [Polish]

LigoWave niniejszym oświadcza, że typ urządzenia radiowego NFT 3ac, NFT 3ac LITE jest zgodny z dyrektywą 2014/53/UE. Pełny tekst deklaracji zgodności UE jest dostępny pod następującym adresem internetowym: <https://www.ligowave.com/downloads>

### Português [Portuguese]

O(a) abaixo assinado(a) LigoWave declara que o presente tipo de equipamento de rádio NFT 3ac, NFT 3ac LITE está em conformidade com a Diretiva 2014/53/UE. O texto integral da declaração de conformidade está disponível no seguinte endereço de Internet: <https://www.ligowave.com/downloads>

### Român [Romania]

Prin prezenta, LigoWave declară că tipul de echipamente radio NFT 3ac, NFT 3ac LITE este în conformitate cu Directiva 2014/53/UE. Textul integral al declarației UE de conformitate este disponibil la următoarea adresă internet: <https://www.ligowave.com/downloads>



## Contact Information

### Technical support

If you encounter problems when installing or using this product, please consult the LigoWave website at [www.LigoWave.com](http://www.LigoWave.com) for:

- Direct contact to the LigoWave support centers.
- Frequently Asked Questions (FAQ).
- Download area for the latest software, user documentation and product updates.

<b>EU office:</b> Zalgirio st. 92, Entrance 1, Floor III Vilnius, LT-09303, Lithuania support@ligowave.com	<b>US office:</b> Ligowave 138 Mountain Brook Drive Canton, GA 30115 United States of America For support: support@ligowave.com For sales enquiries: sales@ligowave.com	<b>Manufacturer:</b> LigoWave Inc. Limited, UnitD, 16/F., MG Tower, 133 Hoi Bun Road, Kwun Tong, Kowloon, Hong Kong
---	---	---