

APS104G-EX

60W Ultra PoE to 4-Port 802.3af/at Gigabit PoE Extender Switch



1-Port Ultra PoE 802.3bt Input,
4-Port Data + Power 802.3af/802.3at Output



100-Meter 802.3af/at PoE extension



Automatically detects and protects PoE
equipment from surge and improper installation



Plug-n-Play, Metallic Casing Fanless Design

Package Contents

- APS104G-EX x 1
- Rubber Stand x 4
- User's Guide x 1

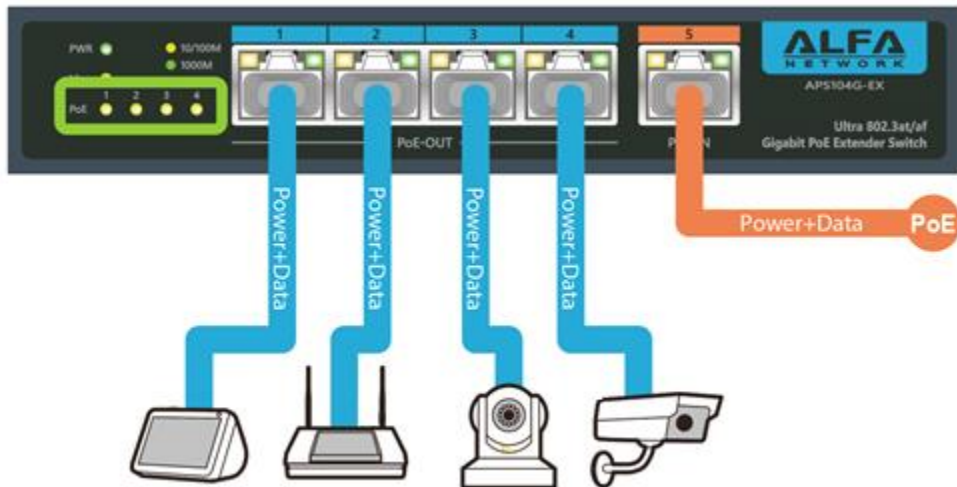


Note: **NOT Included Power Adapter**

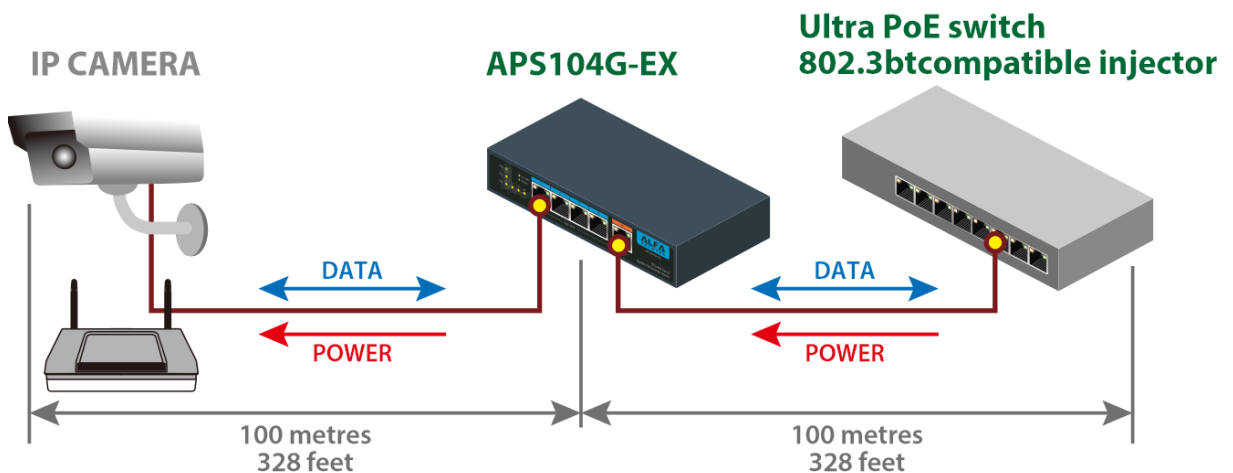
Be sure to use IEEE 802.3bt PoE compliant switch or injector as the power source to ensure product performance and stability.

Application Scenario

- Max. 60 W 802.3bt PoE input, up to four 802.3af/at PoE device extensions



- Plug-n-Play, Gigabit 100-Meter PoE Extension for Your Network



Specifications

Standards	
Network Standards	IEEE802.3, IEEE802.3u, IEEE802.3ab, IEEE802.3az, IEEE802.3x, IEEE802.3af, IEEE802.3at
Network Media	10BASE-T: UTP category 3,4,5 cable (≤100 m) 100BASE-TX: UTP category 5,5e cable (≤100 m) 1000BASE-T: UTP category 5e,6 cable (≤100 m)
Energy Saving	IEEE 802.3az
MAC Address Table	2K, Auto-learning, Auto-aging
Switch Architecture	Store-and-Forward
Switch Fabric	10 Gbps
Flow Control	IEEE 802.3x pause frame for full-duplex Back pressure for half-duplex
Hardware Specifications	
Ethernet Ports	5 x 10/100/1000 BASE-T RJ45 Auto-MDI/MDI-X ports
PoE PD (power-in) Port	Port 5, 802.3bt PoE end-span and mid-span PD compatible Max. 60 watts input
PoE Injector (power-out) Port	Port 1 – port 4 with 802.3at/af PoE , Max. 30/15.4 watt output
LED	PWR (Green), Max (Orange), PoE (Orange) 10/100 Mbps LNK/ACT (Orange) 1000 Mbps LNK/ACT (Green)
Power Requirements	802.3bt PoE, (optional : DC power adapter)
Power over Ethernet	
PoE Power-in Requirement	802.3bt ultra PoE
PoE Power Output	802.3af: Max. 15.4 watt, 802.3at Max. 30.8 watts
PoE Power Budget	60 watts (max.) @ 25 °C
PoE Ability	Input: 60 W / 802.3bt Output: 30 W / 802.3at, 15.4 W / 802.3af
ESD Protection	4KV Contact Discharge, 6KV Air-Discharge
Dimensions (W x D x H)	160 x 93 x 28 mm
Weight	380 g
Environmental	
Operating Temperature	0 °C ~ 40 °C (32 °F ~104 °F)
Storage Temperature	-40 °C ~ 70 °C (-40 °F ~158 °F)
Operating Humidity	10% ~ 90% non-condensing
Storage Humidity	5% ~ 90% non-condensing